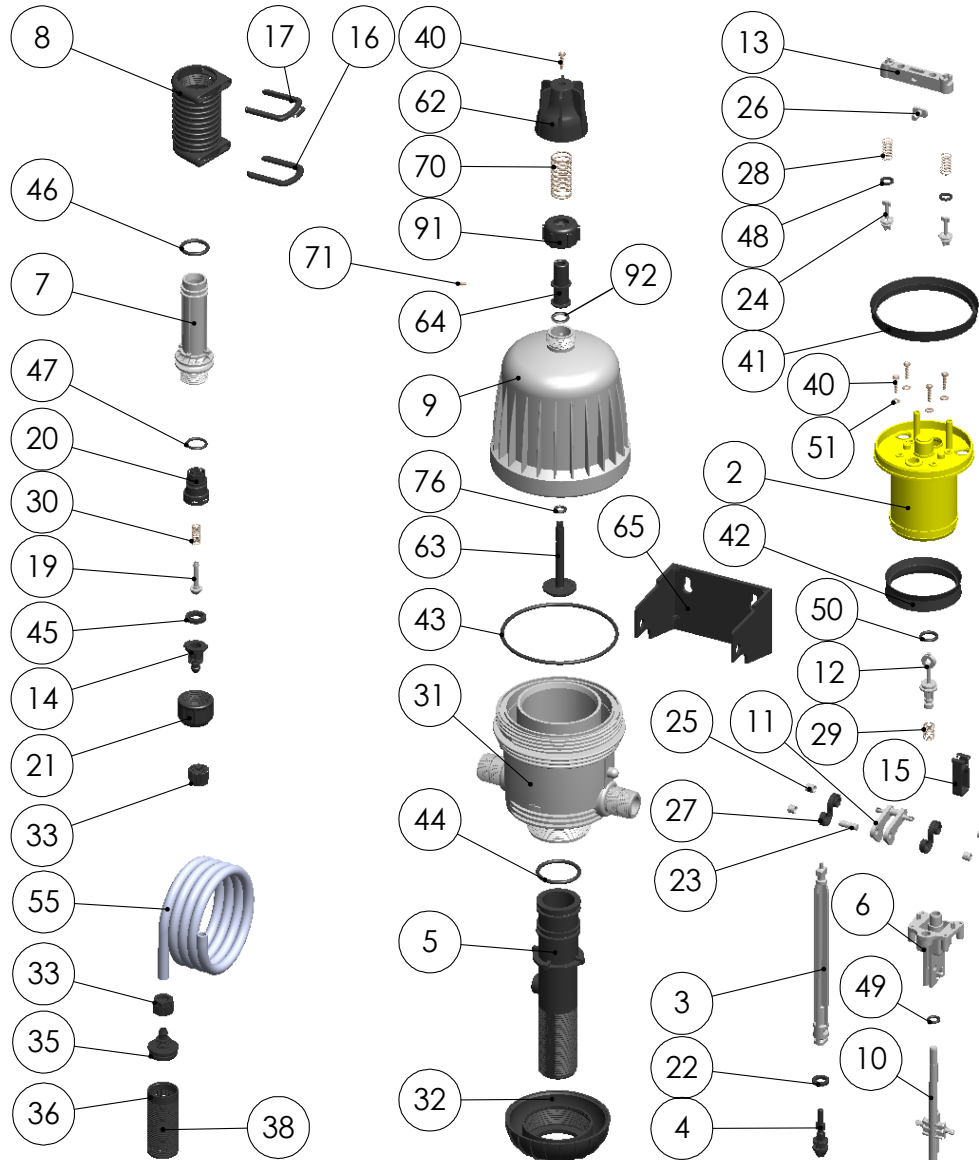


MixRite 2.5 0.3-2% OnOff, C

2802021C001

01.07.2016



No.	Part	Cat.No
2	PISTON 100/70 DUAL SEAL	36016003102
3	BAR	36030180803
4	PISTON 2%	36030152704
5	CYLINDER SUPPORT	36030161305
6	BASE	36030162206
7	PROPORTIONING CYLINDER 2%	36030181007
8	PROPORTIONER BLACK	36032180708
9	COVER	36030157309
10	EJECTOR PIN	36030167110
11	TOGGLE	36030167211
12	VALVE 1	36030147712
13	VALVE BRIDGE	36030147513
14	10 MM BARB CONNECTOR FOR CHECK VALVE	36016103239
14	O RING 2-114	38060211447
15	TOGGLE FRAME	36030149915
16	LATCH	36030167916
17	LOCK LATCH	36030168017
19	PISTON FOR NEW CHECK VALVE PVDF	36043019219
20	SPIDER FOR CHECK VALVE	36013013220
21	3/4" NUT FOR NEW CHECK VALVE	36012013221
22	SUCTION SEAL 2% IL	38000032022
23	AXLE	36030162523
24	VALVE 2	36030153124
25	EJECTOR SLIDE	36030167125
26	PIN	36030167026
27	PLASTIC SPRING MIXRITE 2.5/3.5	36001018227
28	SPRING 2	38060797428
29	SPRING 3	38060797429
30	CHECK VALVE SPRING HASTELLOY	38013070430
31	BODY	36030162031
32	NUT 1 3/4"	36030161532
33	NUT -10 MM BLACK	32046150002
35	BARB COVER 10 TO SUCTION FILTER 30	36030011035
36	SUCTION FILTER 30	36030013036
38	FILTER WEIGHT	38060801038
40	STAINLESS STEEL SCREW	38060351640
41	UPPER PISTON SEAL 101 MIX.3.5	36330172241
42	LOWER PISTON DUAL SEAL	36089002242
43	O RING 2-243 PO	38022430243
44	O RING 2-220 PO	38022200244
45	FLAT SEAL FOR NON RETURN VALVE IL	38000021248
46	O RING 2-211 PO	38022110246
47	O RING 2-114 AFS	38021145147
49	O" RING 2-109 VITON	38021090049
48	O RING 2-108 PO	38021080248
50	O RING 10X3 PO	38001030250
51	STAINLESS STEEL DISC	38060351641
55	SUCTION TUBE 10mm	36030001055
62	ON/OFF KNOB	36030208862
63	ON/OFF BAR	36030208863
64	ON/OFF TUBE	36030208864
65	MOUNTING BRACKET	36030162765
70	ON/OFF SPRING	38060208870
71	PEG	38060208871
76	O RING 2-109	38060210949
91	NUT 3/4"	36030167521
92	O RING 2-113 PO	38021133262