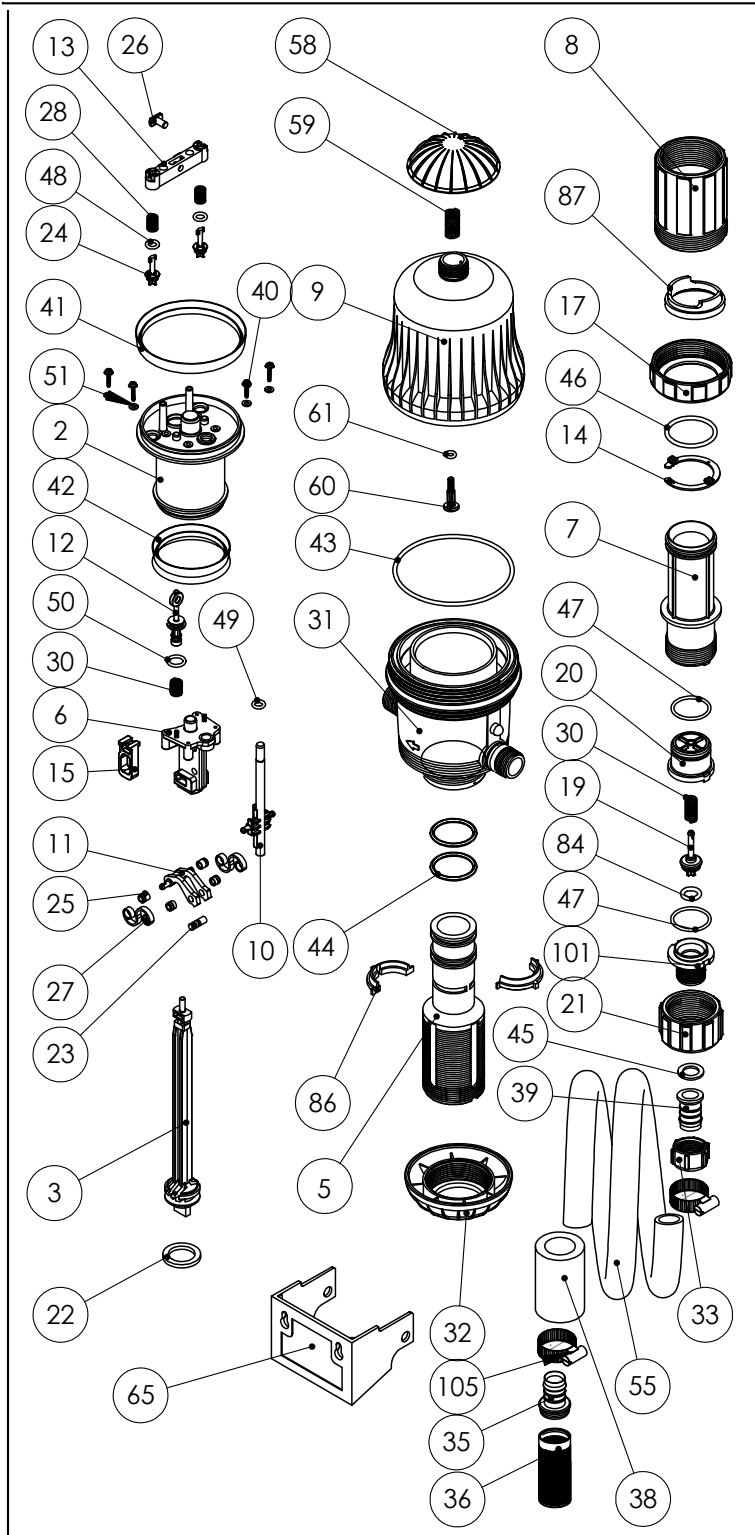


# MixRite 3.5

1%-10%, CL, LFR

2830100CLOO

12/10/2015



No.	Part	Cat. No
2	PISTON 100/70 DUAL SEAL	36016003102
3	BAR PISTON 10%	36314103103
4		
5	CYLINDER SUPPORT 10%	36030010305
6	FEMALE INSIDE BASE	36309031106
7	CYLINDER 10%	36030162207
8	ADJUSTMENT SLEEVE PURPLE	36030181508
9	COVER	36301001309
10	EJECTOR PIN	36371002110
11	TOGGLE	36318001111
12	VALVE 1	36030147712
13	VALVE BRIDGE	36030147513
14	CLIP 10%	36319101167
15	TOGGLE FRAME	36030149915
16		
17	PROPOTIONER NUT 10%	36030162217
18		
19	CHECK VALVE PIN -NEW	36061003236
20	CHECK VALVE GUIDE -NEW	35204003202
21	CHECK VALVE NUT 10%	36030622100
22	SUCTION SEAL 10% IL	36000031022
23	AXLE	36030162523
24	VALVE 2	36030153124
25	SLIDE	36030167125
26	PIN	36030167026
27	PLASTIC SPRING	36001018227
28	SPRING 2 HSTY	38060797528
29		
30	HSTY SPRING -NEW	38028110529
31	BODY WIDE DRILL	36030162231
32	CYLINDER SUPPORT NUT	36030161532
33	NUT 3/4" HOLE 20MM	36030120033
34		
35	HOSE COVER 19 MM	36030111935
36	SUCTION FILTER	36030013036
37		
38	FILTER CERAMIC WEIGHT	38000000038
39	BODY FOR RECORD 3/4"	32454759122
40	STAINLESS STEEL SCREW	38060351640
41	SEAL 101 MIX3.5	36330172241
42	PISTON LOWER DUAL SEAL	36089002242
43	O RING 2-243 PO	38022430243
44	O RING 34*4 VITON	38003441244
45	WASHER FOR SWIVEL 3/4"	37245581200
46	O RING 2-223 VITON	38022231246
47	O RING 30*3 AFLAS	38003035246
48	O RING 2-108 VITON	38021080048
49	O RING 2-109 VITON	38021090049
50	O RING 10*3 VITON	38001031250
51	STAINLESS STEEL DISC	38060351641
55	SUCTION TUBE 19MM	36030001955
56		
57		
58	AIR RELEASE COVER	36030161658
59	SPRING 5	38060000059
60	AIR RELEASE SCREW	36030284360
61	O RING 2-107 VITON	37005805230
65	MOUNTING BRACKET	36030162765
66		
84	O RING 2-206 AFLAS	38022065284
86	ARC LOCK FOR NUT	36019063278
87	ADJUSTMENT NUT ADAPTOR	36019013376
101	CHECK VALVE SEAT -NEW	35204003201
105	SST CLIP W. SCREW	38013322102