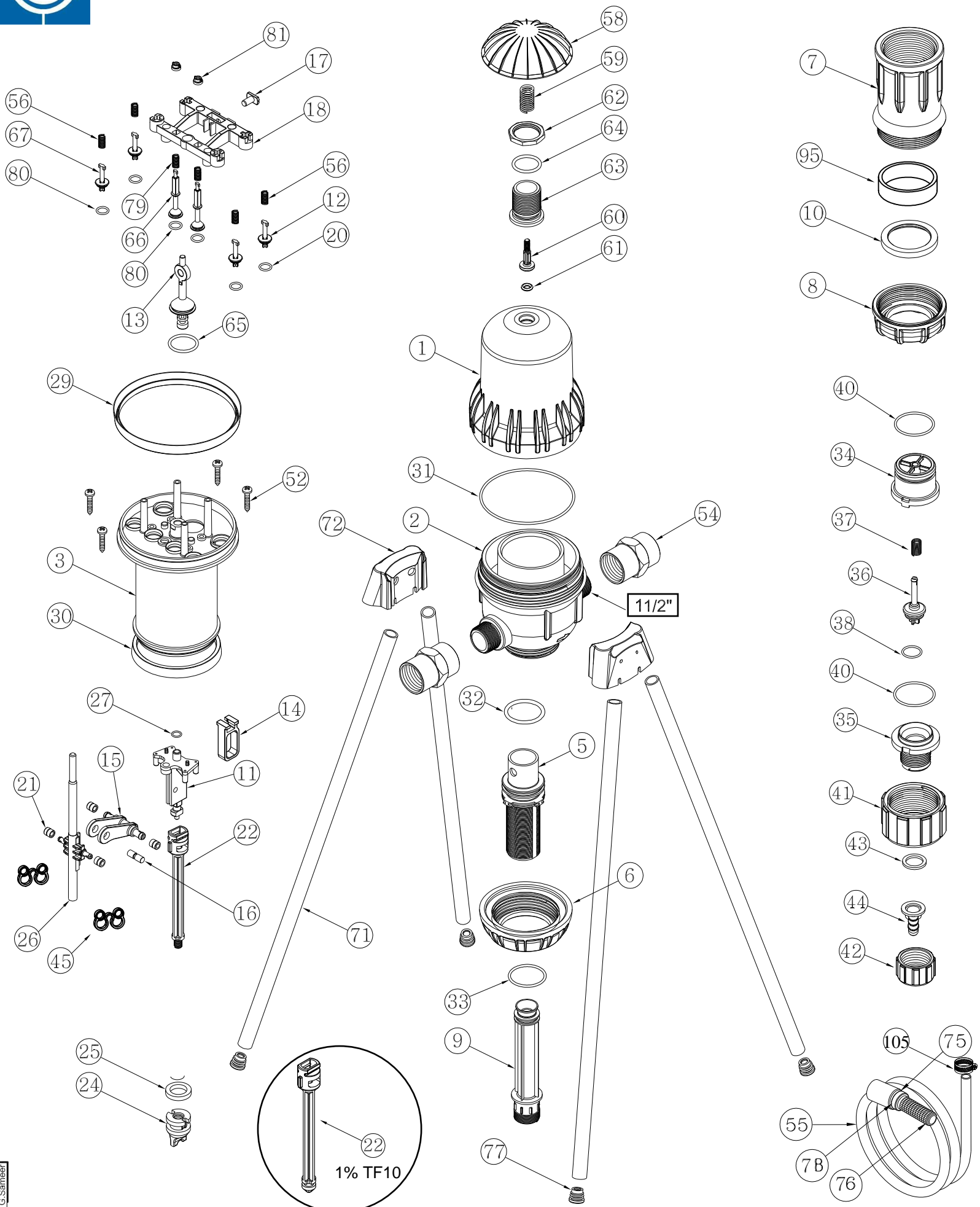




TF10 - BSPT / NPT AirReleaser

24/10/2011





PARTS

BSP

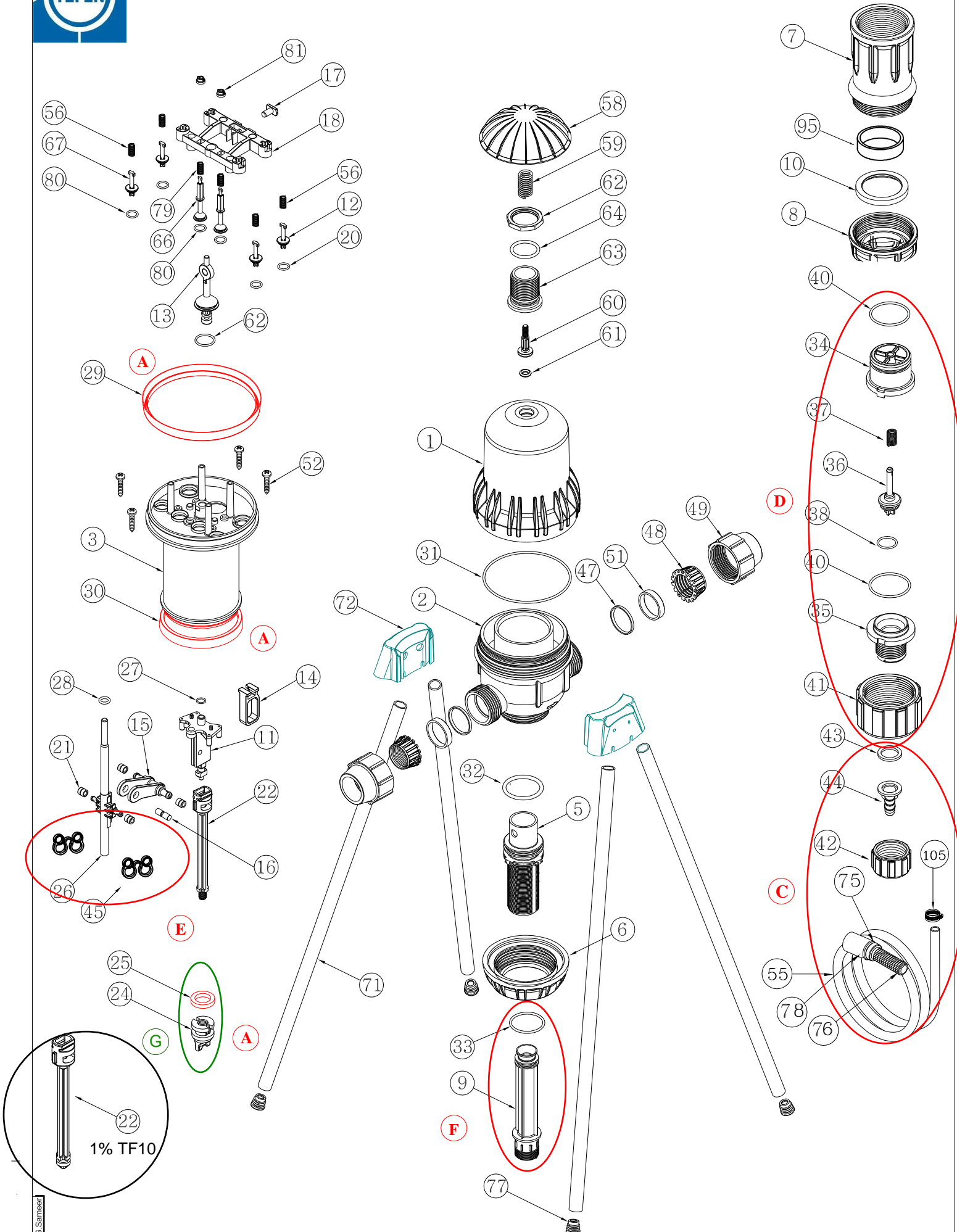
NPT

MixRite TF10, 0.1-1% ,Air Releaser , 28090100000 / 28080100000

MixRite TF10, 0.2-2% ,Air Releaser , 28090200000 / 28080200000

MixRite TF10, 1 -5% , Air Releaser , 28090500000 / 28080500000

No.	COMPONENT NAME	COMPONENT CODE	No.	COMPONENT NAME	COMPONENT CODE
1	TF 10 COVER	35101011301	36	PISTON CHECK VALVE	36030162284
2	BODY 11/2" BSP	35102091302	37	SPRING FOR CHECK VALVE HSTY	38028110529
2	BODY 11/2" NPT	35102081302			
2			38	O RING 2-206 PO	38022060284
3	PISTON TF 10	35103013103	39		
5	CYLINDER SUPPORT TF10	35104013304	40	O RING 30*3 PO	38003033246
6	CYLINDER SUPPORT NUT TF10	35105011806	41	CHECK VALVE NUT	36030622100
7	ADJUSTMENT NUT TF10	35107011807	42	NUT 3/4"HOLE 20	36030120033
8	LATCH NUT TF10	35108011808	43	WASHER FOR SWIVEL 3/4"	37245581200
9	CYLINDER 1% MIXRITE TF 10	35109016109	44	RECORD BODY 19X3/4"	32454759122
9	CYLINDER 2% MIXRITE TF 10	35110016109	45	PLASTIC SPRING 1 TF 10	35126108249
9	CYLINDER 5% MIXRITE TF 10	35111016109	46		
10	CYLINDER SUPPORT SPACER TF10	35117013110			
11	INSIDE BASE TF10	35112010211	52	EJOTE SCREW WN-1412	38000001152
12	LARGE EXIT VALVE 3 TF10	35119011112	53		
13	CENTRAL VALVE 3 TF10	35113011113	54	11/2" FEMALE PIPE COUPLING	38050107015
14	TOGGLE FRAME TF10	35113011114	55	SUCTION TUBE 19mm	36030001955
15	TOGGLE TF10	35116011115	56	LARGE EX. VALVE SPRING	38000001150
16	TOGGLE PIN TF10	35113011116	58	AIR RELEASE	35016003858
17	BRIDGE PIN TF10	35113011117	59	SPRING 5	38060000059
18	BRIDGE TF10	35106013118	60	AIR RELEASER SCREW	36030284360
19			61	"O" RING 2-107	38060210761
20	O RING 2-112	38021129280	62	NUT 3/4"	38000007389
21	TOGGLE BEARING	35121011121	63	ADAPTOR 3/4"	35000003863
22	PISTON BAR 2%,5% TF10	35122013122	64	O RING 20X3	38002032264
22	PISTON BAR 1% TF10	35122013124	65	O RING 2-116	38021169292
23			66	INNER VALVE TF10	35120011166
24	SUCTION PISTON 2% MIXRITE TF 10	35118021124	67	SMALL EXIT VALVE TF10	35119011167
24	SUCTION PISTON 5% MIXRITE TF 10	35118051124	71	EASEL LEG TF10	38000004171
25	SUCTION SEAL 1% MIXRITE TF 10	38000032022	72	TF10 BRACKET	35125011872
25	SUCTION SEAL 2% MIXRITE TF 10	35102024225	75	HOSE COVER 19 MM	36030111935
25	SUCTION SEAL 5% MIXRITE TF 10	35002024225	76	SUCTION FILTER 30	36030013036
26	OPERATION ROD	35114011126	77	EASEL LEG PLUG D. 22	38001003277
27	"O" Ring 12X2	37005852002	78	FILTER WEIGHT	38002000107
28			79	INNER VALVE SPRING	38000001151
29	UPPER PISTON SEAL	35123012229	80	O RING 2-111	37005821110
30	LOWER PISTON SEAL	35124012230	81	V7 INNER VALVE LOCKER	35028001181
31	O RING 2-362	38023622231			
32	O RING 2-334	38023342232			
33	O RING FOR 1%,2% MODEL	36023242233	95	SPACER FOR CYLINDER 5%	35117053195
33	O RING 39X4 FOR 5% MODEL	38003942233	95	SPACER FOR CYLINDER 2%	35117023196
34	CHECK VALVE SLEEVE	36030675102			
35	CHECK VALVE LID	36030101101	105	SST CLIP SCREW	38013322102



TF 10 -KITS

NO.	PART	CAT.NO
A	SEAL KIT 1%	35100000001
	SEAL KIT 2%	35100000002
	SEAL KIT 5%	35100000005
D	SUCTION CHECK VALVE KIT	35200000004
E	MECHANISM SPRING	35110000045
F	SUCTION CYLINDER KIT 1%	35100000009
	SUCTION CYLINDER KIT 2%	35100000011
	SUCTION CYLINDER KIT 5%	35100000012
G	SUCTION PISTON KIT 1%	35100000019
	SUCTION PISTON KIT 2%	35100000020
	SUCTION PISTON KIT 5%	35100000021
	WATER ENGINE COMPLETE	35100000006
C	SUCTION TUBE KIT	36000000028